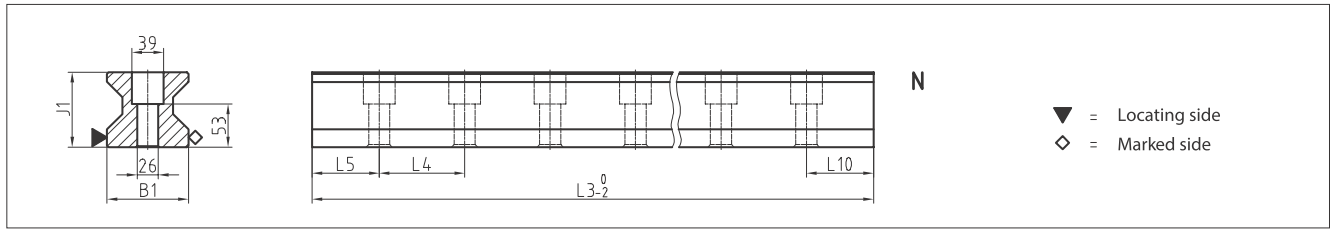


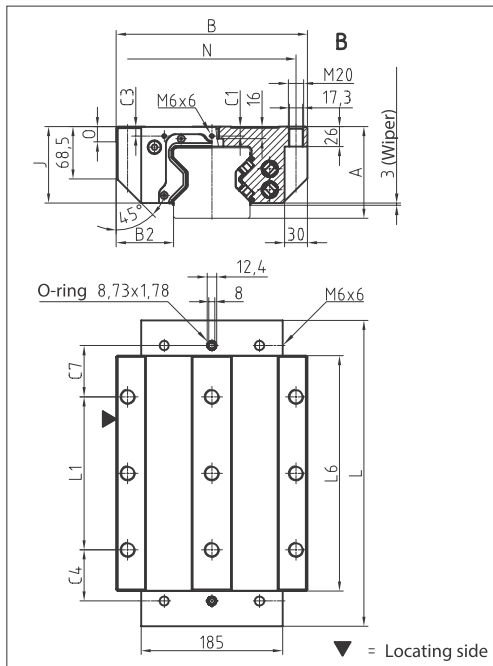
## 3.2 Technical data and options

### MR Size 100

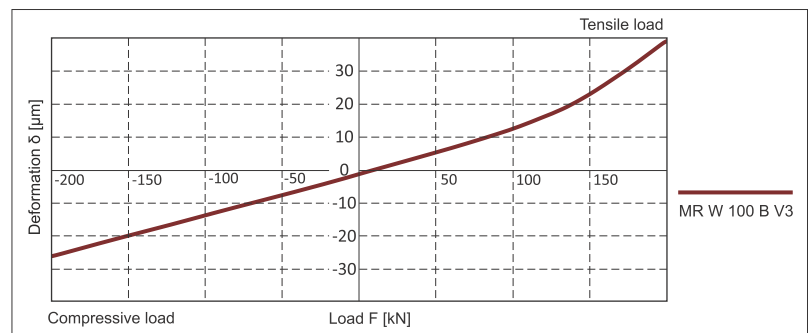
#### MR S 100 Drawings



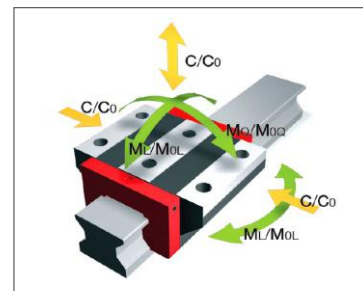
#### MR W 100 Drawings



#### MR W 100 Rigidity diagram



#### MR W 100 Load rating



## 3.2 Technical data and options

#### MR S Dimensions



مشخصات	MR S 100-N
B1: Rail width	100
J1: Rail height	92
L3: Rail length max.	3000
L4: Spacing of fixing holes	105
L5/L10: Position of first/last fixing hole	51
Gew.: Rail weight, specific (kg/m)	55.3
قیمت	دلار
	تومان

#### MR W 65 Dimensions and capacities



مشخصات	MR W 100-B	مشخصات	MR W 100-B
A: System height	120	L6: Steel body length	308
B: Carriage width	250	N: Lateral fixing hole spacing	220
B2: Distance between locating faces	75	O: Reference face height	20
C1: Position of center front lube hole	12.5	C0: Static load capacity (N)	1470000
C3: Position of lateral lube hole	12.5	C100: Dynamic load capacity (N)	605000
C4: Position of lateral lube hole	67	M0Q: Static cross moment capacity (Nm)	91471
C7: Position of top lube hole	67	M0L: Static longitud. moment capacity (Nm)	39432
J: Carriage height	100	MQ: Dyn. cross moment capacity (Nm)	37646
L: Carriage length	400	ML: Dyn. longitud. moment capacity (Nm)	16229
L1: Exterior fixing hole spacing	200	Gew: Carriage weight (kg)	40.0
L2: Interior fixing hole spacing	-		
قیمت	دلار		
	تومان		